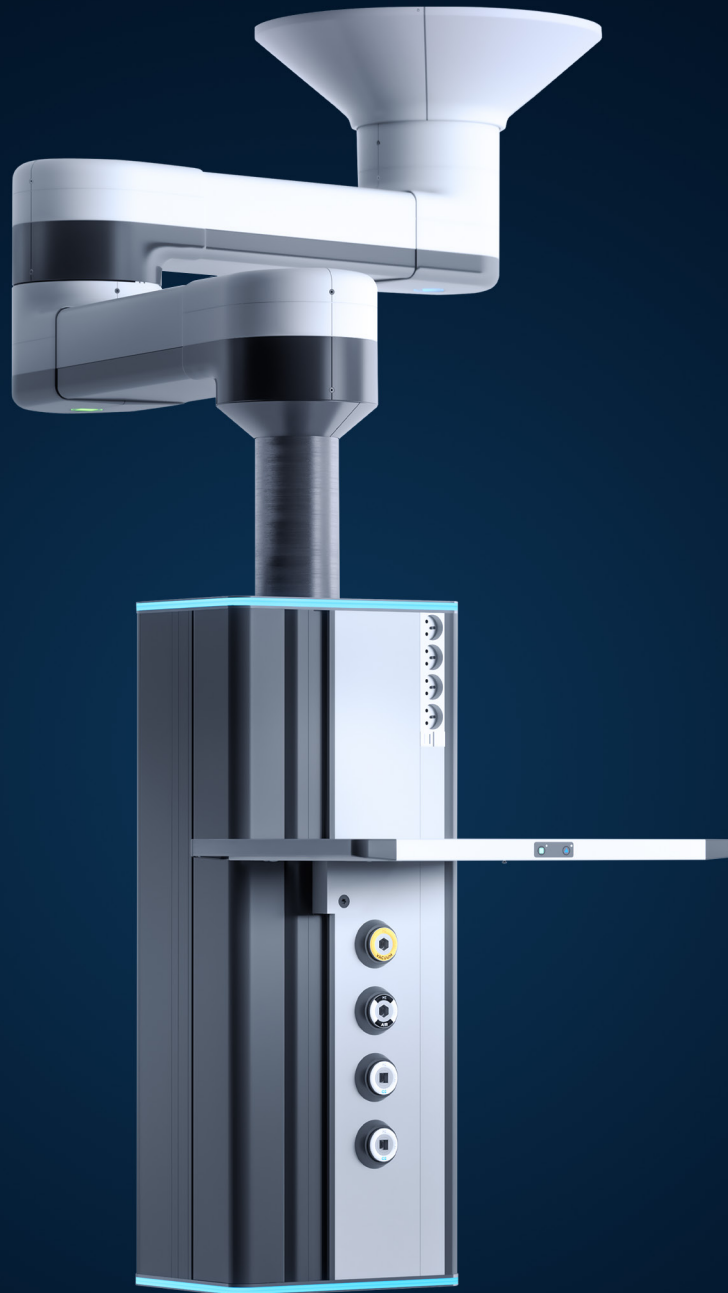


MZ Liberec



CEILING PENDANT

TAURUS



Technology Refined in Every Detail!

The ceiling pendant **TAURUS** is a new addition to our portfolio, designed primarily for operating rooms, intensive care units, and anesthesiology departments.

It includes outlets for medical gases, high-voltage electrical sockets, and low-voltage electrical installations. The pendant also serves as a support for medical equipment and can be equipped with additional accessories.





Smart design, rounded corners, and smooth surfaces make the product easy to disinfect and clean.



Antibacterial surface helps prevent the spread of infections.



Colors and decor can be customized to fit your interior and requirements.



Bio-optimized lighting: direct, ambient, and 360° LED RGB for optimal working conditions and a calming atmosphere.



Modularity and customized solutions, including tailored connectivity.



Arm joint locking via pneumatic or electromagnetic brakes.



Shelf load capacity up to 60 kg thanks to high load-bearing arms and head.



Maximum connectivity via flexible placement of electrical, gas, and low-voltage outlets on all four sides, with combinability.



Wide range of accessories from illuminated sockets to infusion holders.



Full 400° joint rotation allows for easy positioning within the workspace.



Ambient lighting provides gentle illumination in low-visibility conditions.^{1,2}



360° LED lighting with adjustable intensity and color helps create a calming atmosphere for patients.^{1,2}



SMART cable management keeps cables organized in the stand head and extends connection capacity.²



In-house manufactured medical gas quick connectors.

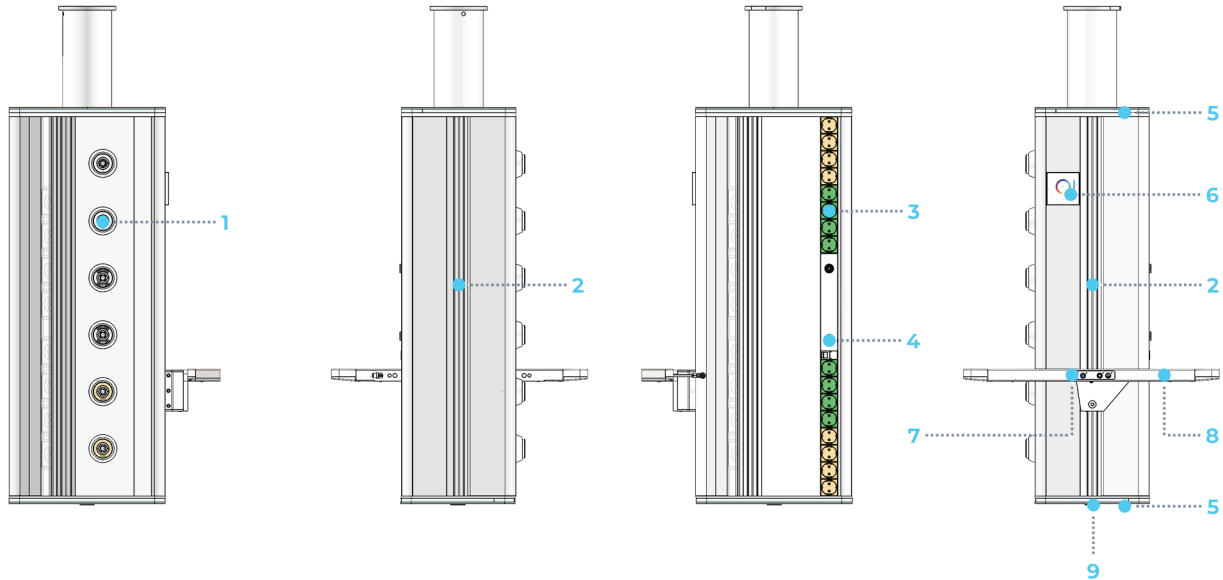


Rail system allows attachment of accessories from all four sides.²

1 optional equipment
2 applies to head S

Service Head S

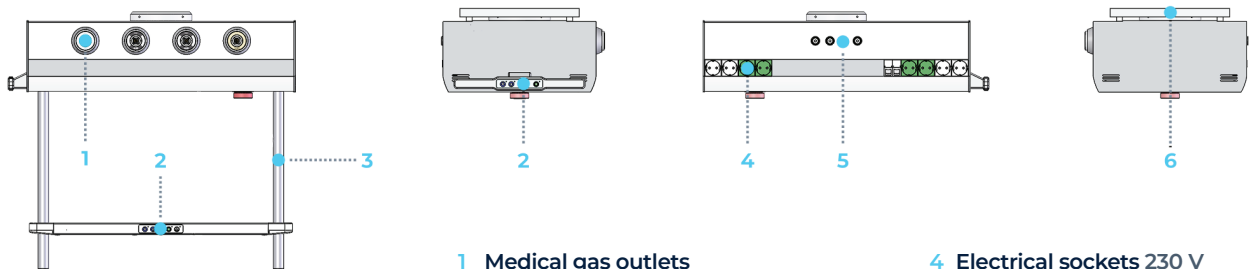
The S source head is a unique solution for demanding medical device applications due to its design, variability and capabilities.



- 1 Medical gas outlets
- 2 Rail support system
- 3 Electrical sockets 230 V
- 4 Protective grounding socket
- 5 360° RGB LED lighting
- 6 RGB LED lighting control panel
- 7 Brake system control
- 8 Shelving system
- 9 Positional lighting

Service Head A

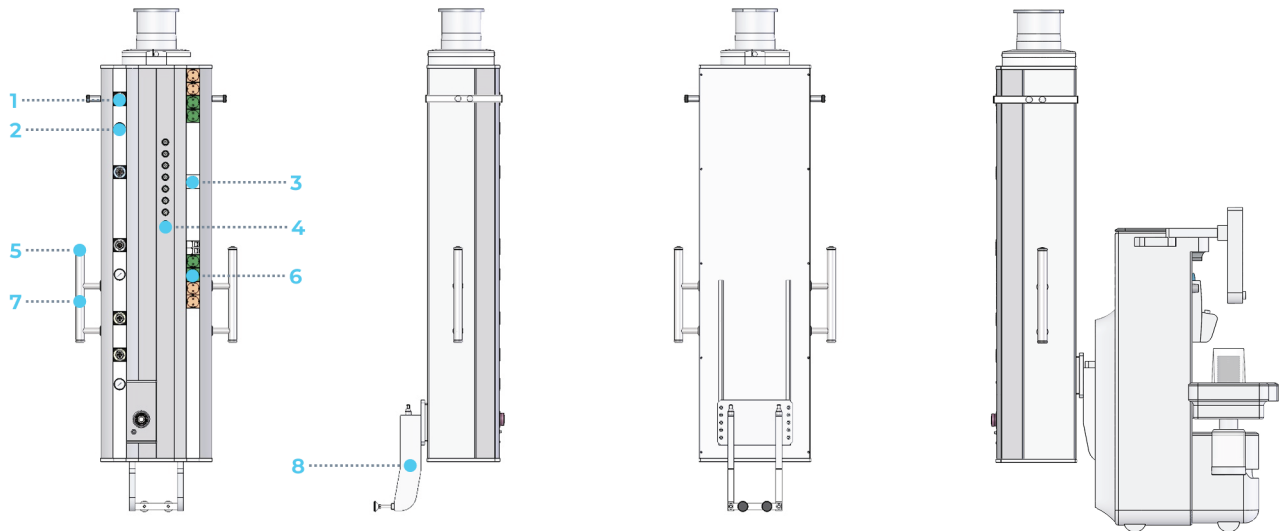
Due to its minimalist design, the Source Head A is particularly suitable for use in the anesthesiologist's workplace, where it allows connection to medical gas lines.



- 1 Medical gas outlets
- 2 Brake system control
- 3 Shelf rod \varnothing 28 mm
- 4 Electrical sockets 230 V
- 5 Protective grounding socket
- 6 Medi-rails

Service Head Z

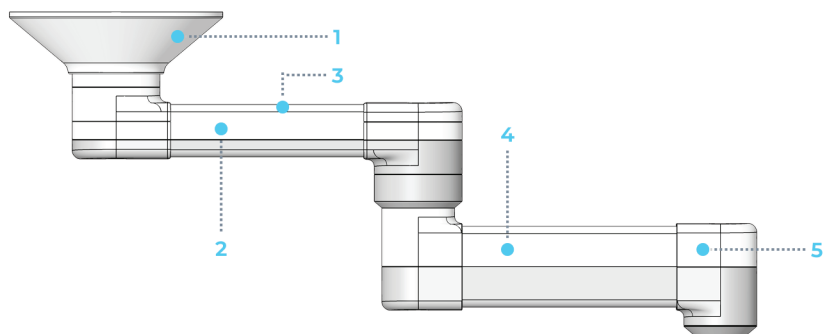
The source head Z is equipped with a motorized anesthesia device carrier, which allows it to be connected to a pendant, creating a unified system for easier handling and operation.



- | | | |
|----------------------------------|-------------------------------|---|
| 1 Medical gas quick connectors | 4 Protective grounding socket | 7 Handle with brake control |
| 2 Pressure gauges | 5 Brake system control | 8 Height-adjustable (motorized) anesthesia machine holder |
| 3 Anesthesia holder lift control | 6 Electrical sockets 230 V | |

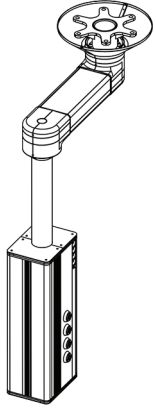
Overview of Support Arms

- 1 Ceiling cover \varnothing 600 mm
- 2 Rotating arm
- 3 Ambient lighting ¹
- 4 Height-adjustable arm
- 5 Supply head with rotation up to 400 °

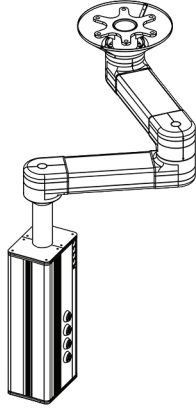


1 optional equipment

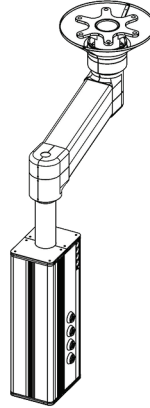
Arm Variants



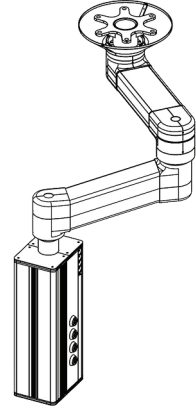
Single rotating arm pendant



Dual rotating arm pendant

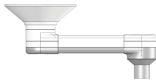
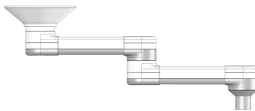
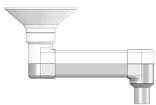
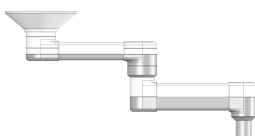


Single rotating and height-adjustable arm pendant



Dual rotating and height-adjustable arm pendant

Arm Types and Lengths

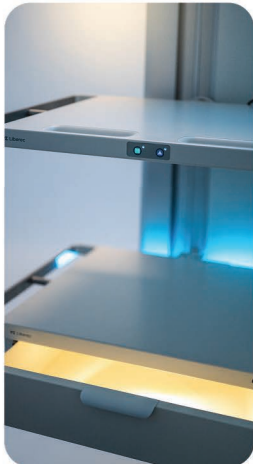
		Standard length variant (mm) ¹	Load (kg)
Single-arm system, without motor, rotating		450 650 850 1050 1250 1350	500 kg (according to configuration)
Two-arm system, without motor, rotating		650+650 850+850 1050+1050 1250+1250 1350+1350 + combinations	320 kg (according to configuration)
Single-arm system, motorized, tilting and rotating		850 1050 1350	280 kg (according to configuration)
Two-arm system, motorized, tilting and rotating		650+850 850+850 850+1050 1050+1050 1250+850 1250+1050 1350+850 1350+1050 + combinations	280 kg (according to configuration)

¹ custom lengths available upon request

Easy Connectivity for Everything You Need



Shelves with handles and LED brake control indicators



Drawers with lighting



Infusion holder can carry up to 4 bottles and 4 bags simultaneously








Monitor holder within the rail system



Examination or reading lamp

Basic Overview of Accessories

Accessories suitable for TAURUS. A complete list of accessories can be found in the separate accessories catalogue.

SHELF SYSTEMS		Dimension	Load cap.
Shelf with 2 medirails, without control		550 × 450 mm	60 kg
		650 × 550 mm	
Shelf with 2 medirails and with control and handle		550 × 450 mm	60 kg
		650 × 550 mm	
Shelf with 2 medirails and drawer (Drawer with light optional)		550 × 450 mm height of drawer v = 100 mm	60 kg
		550 × 450 mm height of drawer v = 150 mm	
		650 × 550 mm height of drawer v = 100 mm	
		650 × 550 mm height of drawer v = 150 mm	
INFUSION RODS AND INFUSION CARRIERS		Dimension	Load cap.
Infusion carrier for 4 bags, rod diameter 20 mm, into arms (without arms)		L = 500 mm	12 kg
		L = 900 mm	
		L = voliteľné	
Telescopic infusion carrier for 4 bags, rod diameter 25 mm, into arms (without arms)		L = 900 mm (+ extension 400 mm)	12 kg

Arm for infusion rods, single arm, (without rod)		L = 260 mm	22 kg
Arm for infusion rods, double arm, (without rod)		L = 260 + 260 mm	
Infusion rod dia. 25 mm, anchoring into the arms, for infusion pumps (without arms)		L = 500 mm	22 kg
		L = 700 mm	
		L = 900 mm	
MEDIRAILS AND TUBES FOR T-RAIL¹		Dimension	Load cap.
Medirail 25x10 mm, horizontal, anchored to the T-slot of the tripod		L = 200 mm	20 kg
Infusion rod dia. 25 mm, vertical, anchoring into the T-slot of the tripod		L = 500 mm	20 kg
HOLDERS WITH VESA 75/100 MONITOR		Dimension	Load cap.
Monitor arm, swivel, VESA 75/100		Singlearm L = 260 mm	15 kg
		Doublearm L = 260+260 mm	
Monitor arm, swivel, double-arm VESA 75/100, height-adjustable		Singlearm L = 410 mm	15 kg
		Doublearm L = 410 + 260 mm	
Monitor arm + keyboard shelf, swivel, VESA 75/100, height-adjustable		Doublearm L = 260 + 260 mm	15 kg

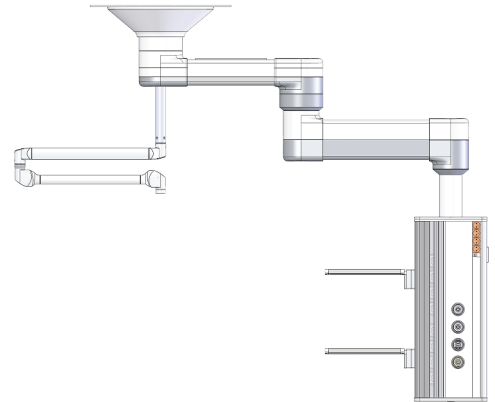
More accessories can be found in the [accessories catalog](#)

¹ used to support accessories

Possible Configurations

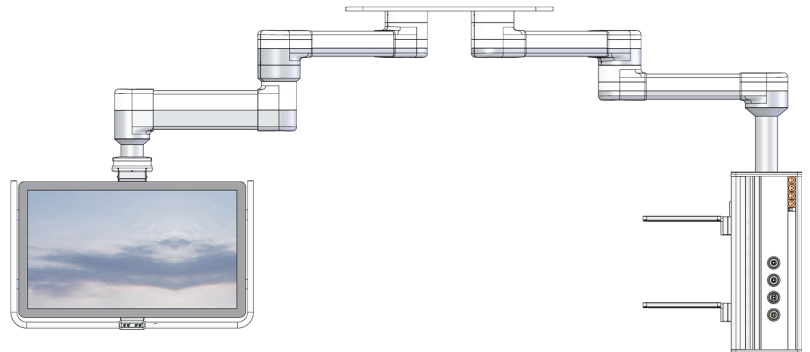
The ceiling pendant can be combined with the SPR 11

The TAURUS ceiling pendant can be combined with the SPR 11, which comes out of the ceiling stand joint and is used to install a monitor or examination light. The advantage is joint anchoring and space saving.



Tandem solution 2x ceiling pendant from one anchor point

TAURUS ceiling pendant in tandem configuration, for example in combination of 2x ceiling pendants or 1x pendant and 1x 40+” heavy monitor holder (shown in the image).



Optional and Additional Functions



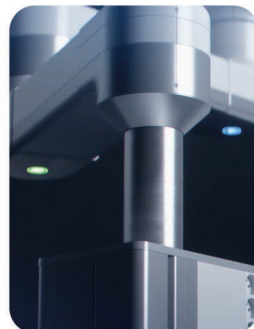
Optional colors and decor, antibacterial powder coating or foil wrapping



Ambient lighting of the workspace



360° LED lighting with adjustable intensity and light color



Brake LED light signaling



Pendant positioning light

Technical Specifications

Length of rotating arms	450 – 1350 mm
Length of tilting arms	850 – 1350 mm
Brake system	Pneumatic / Electromagnetic
Maximum arm rotation angle	400 ° pneumatic / 350 ° electromagnetic
Tilting arm lift height	540 mm (for arm with length 850 mm) 710 mm (for arm with length 1050 mm) 965 mm (for arm with length 1350 mm)
Ambient lighting on upper arm	10 – 20 VA (dimmable)
Electrical installation equipment	Sockets of various colors with and without light, design according to national standards (BS, SCHUKO...), RJ45 data connector, telephone connections, nurse/patient connection, etc.
Gas outlets equipment	All types of gas outlets according to national standards (DIN, AFNOR, BS, AGA and others)
Maximum shelf load	60 kg
Design materials	Anodized aluminum profiles with removable cover, optional RAL color (anti-bacterial powder coating), ABS plastic

Gas outlets
(in-built, on-wall)

Spring balanced arms for
surgical lights, monitors,
cameras etc

Monitoring device for gas
pressure and flow monitoring





MZ Liberec

Our products are reliably used in over 80 countries worldwide.

We offer our customers a comprehensive service from planning, design, construction, production and installation to after-sales service. The final product is designed according to the customer's wishes and requirements to meet his vision for the overall interior appearance.

MZ Liberec, a.s. – Rudník 4, 543 72 Rudník u Vrchlabí, Czechia.

info@mzliberec.cz | +420 491 679 190

www.mzliberec.cz

